



To better help you obtain assistance or service should you ever need it, write down the following information about the product. This information is on the identification label located on the left hand inside wall of the cabinet. We advise you to keep this Owners Manual and sales slip in your possession.

Model: _____

Serial Number: _____

Date of Purchase: _____

Owners Manual

Glass Door Undercounter and Countertop Refrigerator

Model 07-CSGR



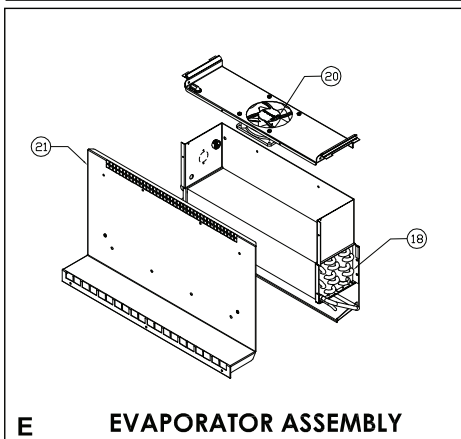
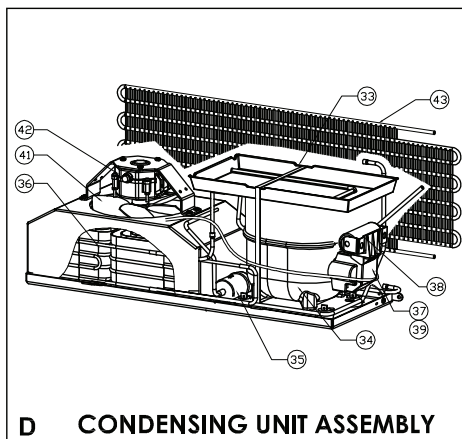
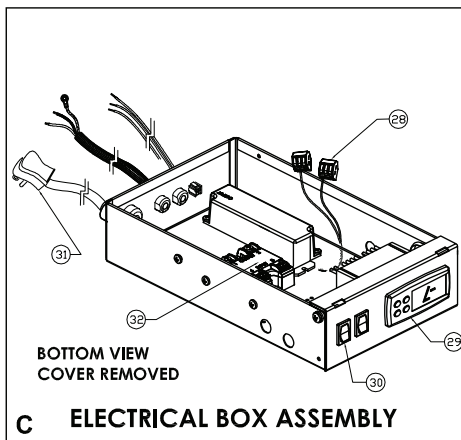
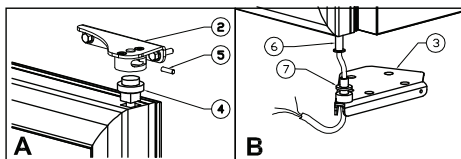
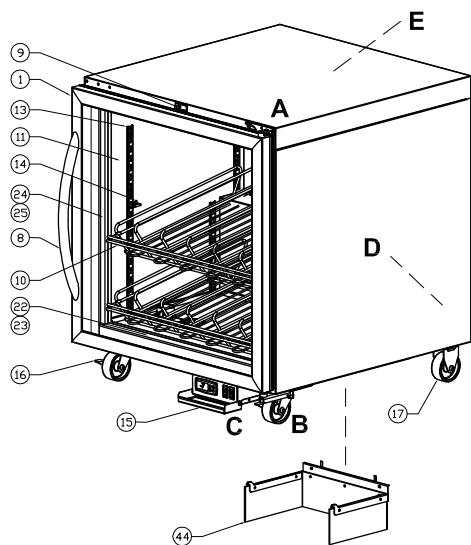
30 Armstrong Avenue
Georgetown, Ontario
Canada L7G 4R9

tel: 800.800.5706 or 905.702.1441
fax: 905.702.1442
email: info@minusforty.com
web: minusforty.com



30 Armstrong Ave. Georgetown, Ontario Canada L7G 4R9
tel 800.800.5706 · 905.702.1441 · fax 905.702.1442 · MINUSFORTY.com

ILLUSTRATION



CAUTIONARY INSTRUCTIONS FOR UNITS CHARGED WITH PROPANE (R290) REFRIGERANT

⚠ WARNING



THIS UNIT IS CHARGED WITH PROPANE REFRIGERANT. PROPANE IS AN EXTREMELY FLAMMABLE AND EXPLOSIVE GAS. PLEASE READ CAREFULLY THIS MANUAL/GUIDE AND FOLLOW ALL SAFETY PRECAUTIONS CONTAINED HEREIN TO REDUCE A RISK OF FIRE AND/OR EXPLOSION. FAILURE TO FOLLOW THE SAFETY PRECAUTIONS MAY RESULT IN SERIOUS INJURY OR DEATH, AND/OR PROPERTY DAMAGE.

- **DANGER - RISK OF FIRE OR EXPLOSION. FLAMMABLE REFRIGERANT USED. DO NOT USE MECHANICAL DEVICES TO DEFROST REFRIGERATOR. DO NOT PUNCTURE REFRIGERANT TUBING.**
- **DANGER - RISK OF FIRE OR EXPLOSION. FLAMMABLE REFRIGERANT USED. TO BE REPAIRED ONLY BY FACTORY AUTHORIZED TRAINED SERVICE PERSONNEL. DO NOT PUNCTURE REFRIGERANT TUBING.**
- **CAUTION - RISK OF FIRE OR EXPLOSION. FLAMMABLE REFRIGERANT USED. CONSULT REPAIR MANUAL/OWNER'S GUIDE BEFORE ATTEMPTING TO SERVICE THIS PRODUCT. ALL SAFETY PRECAUTIONS MUST BE FOLLOWED.**
- **CAUTION - RISK OF FIRE OR EXPLOSION. DISPOSE OF PROPERLY IN ACCORDANCE WITH FEDERAL OR LOCAL REGULATIONS. FLAMMABLE REFRIGERANT USED.**
- **CAUTION - RISK OF FIRE OR EXPLOSION DUE TO PUNCTURE OF REFRIGERANT TUBING; FOLLOW HANDLING INSTRUCTIONS CAREFULLY. FLAMMABLE REFRIGERANT USED.**

Propane is approved for use as a refrigerant in commercial, self-contained units in Canada and USA under limited use conditions. It can be used in new equipment only, retrofitting is not allowed, with a limited charge of up to 150 grams (5.3 oz) per refrigeration circuit. Even though this is a small amount, it still presents a fire/explosion hazard if it leaks out of refrigerant containing parts. When mixed with air, a flammable propane-air mixture can be created and easily ignited by sparks, open flames, or hot surfaces. This is particularly true in confined zones. Propane is heavier than air and tends to settle at lower points.

To mitigate the risk, please follow the precautionary measures as follows:

- Avoid unit installation in areas with open flames (kitchens, repair garages or the like), or in vicinity of open flames or high surface temperatures.
- Avoid unit installation in confined spaces. Well ventilated areas are preferred. Keep clear all ventilation openings of obstructions.
- Do not rely on smell to detect potential leaks of propane refrigerant. Propane refrigerant is a high purity propane gas and does not contain any stenching agent(s). Stenching agents are typically used in fuel-grade propane and natural gas to detect their presence in air by relying on smell.
- All repairs must be performed in well ventilated areas.
- To minimize the risk of possible ignition due to incorrect parts or improper service, component parts shall be replaced with like components and servicing shall be done by service personnel authorized by Minus Forty Technologies Corp.
- Do not attempt to modify the unit or remove any functional part(s) from the unit.
- Handle the unit with care to avoid any damage.
- When transporting the unit, all appropriate safety considerations must be considered. Check with local Department of Transportation for detailed requirements pertaining to transportation of flammable gasses.

⚠ WARNING

MAKE SURE THE REFRIGERATOR IS DISCONNECTED FROM THE POWER SUPPLY BEFORE ANY SERVICE. PRESS THE REFRIGERATOR SWITCH TO THE “OFF” POSITION THEN UNPLUG THE POWER CORD FROM THE ELECTRICAL RECEPTACLE.

ALL SERVICE WORK MUST BE PERFORMED BY CERTIFIED, FACTORY AUTHORIZED SERVICE PERSONNEL ONLY. COMPONENT PARTS MUST BE REPLACED WITH LIKE COMPONENTS.

COMMERCIAL USE ONLY. NOT FOR HOUSEHOLD USE.

FOR INDOOR USE ONLY

⚠ SAFETY PRECAUTIONS

READ ALL INSTRUCTIONS AND SAVE THESE INSTRUCTIONS FOR FUTURE REFERENCE.

DO NOT STORE OR USE GASOLINE OR OTHER FLAMMABLE VAPORS AND LIQUIDS NEAR THIS OR ANY OTHER APPLIANCE.

DO NOT TOUCH COLD SURFACES WITH DAMP OR WET HANDS. SKIN MAY STICK TO EXTREMELY COLD SURFACES.

DO NOT ALLOW CHILDREN TO CLIMB, HANG OR STAND ON REFRIGERATOR SHELVES.

KEEP FINGERS OUT OF PINCH-POINT AREAS.

DISCONNECT POWER TO THE UNIT PRIOR TO CLEANING OR REPAIRING.

BEFORE DISCARDING THIS OR ANY OTHER APPLIANCE, REMOVE THE DOORS OR LIDS TO REDUCE RISK OF CHILD ENTRAPMENT.

WHEN RECYCLING THE UNIT, REFRIGERANTS MUST BE HANDLED IN ACCORDANCE WITH LOCAL AND NATIONAL REGULATIONS.

NOTICE

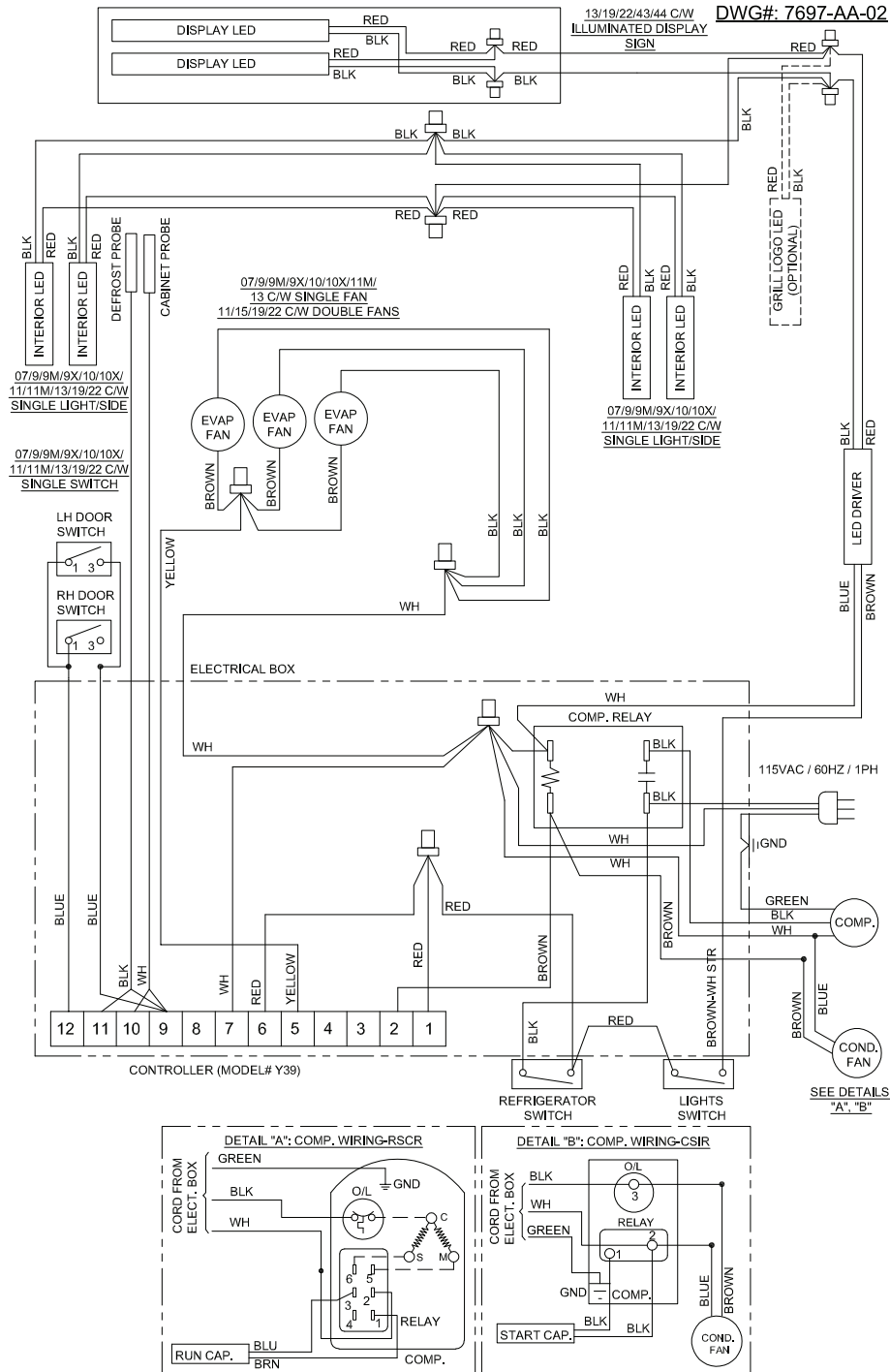
ALL MODELS ARE CERTIFIED FOR USE WITH BOTH POTENTIALLY HAZARDOUS AND NON-POTENTIALLY HAZARDOUS PACKAGED FOODS.

PARTS LIST

No	Description
1	Door
2	Door Top Bracket (RH or LH)
3	Door Bottom Bracket
4	Torsion Bar
5	Tension Pin
6	Bushing
7	Nylon Washer
8	Door Handle
9	Door Switch
10	Shelf-Gravity
11	Shelf
12	Defrost Interlocking Relay
13	Pilaster
14	Pilaster Clip
15	Controller Cover
16	Caster (Swivel w/Lock)
17	Caster (Rigid w/o Lock)
18	Evaporator Coil
19	not used
20	Evaporator Fan
21	Evaporator Top Vent
22	not used
23	Heater Breaker Seal (Side and Bottom/Top)
24	Heater Breaker Seal LED
25	LED Strip
26	LED Driver (Interior Light)
27	5 Pole Terminal Block
28	3 Pole Terminal Block
29	Controller
30	Rocker Switch
31	Power Cord
32	Compressor Relay
33	Condensate Tray Assembly
34	Compressor
35	Filter Drier
36	Condenser Coil

No	Description
37	Start Relay
38	Start Capacitor
39	Overload Protector
40	not used
41	Fan Blade (Condensing Unit)
42	Fan Motor (Condensing Unit)
43	Condenser Grill
44	Separator Assembly

WIRING DIAGRAM



CONTENTS

Warranty	1
Installation Instructions	2
Shelf and Basket, Placement and Adjustment	2
Protective Door Film Removal	3
Operating Instructions	3
Product Loading	3
Temperature Adjustment and Switch Functions	4
Controller Alarms and Signals	4 - 5
Controller Symbols and Functions	5
Cleaning	6
Condenser Cleaning	7
Interior LED Strip Replacement	8
Troubleshooting Guide	9 - 10
Wiring Diagram	11
Parts List	12
Illustrations	13

NOTICE

OPERATING THE REFRIGERATOR FOR 24 HOURS PRIOR TO LOADING PRODUCT IS RECOMMENDED
MONITOR REFRIGERATOR TEMPERATURE REGULARLY

STANDARD WARRANTY FOR MINUS FORTY® REFRIGERATION EQUIPMENT AND ACCESSORIES

LIMITED WARRANTY

Minus Forty® Technologies Corp. warrants its products to be free from defect as to workmanship and materials for a period of twelve (12) months from the time of delivery.

Minus Forty® Technologies Corp. will at its option either replace or repair any defective parts returned within twelve (12) months of the time of delivery, transportation charges prepaid, which Minus Forty® Technologies Corp. in its sole discretion, determines to be defective.

This warranty shall not apply to any products that have been repaired or altered outside of Minus Forty® Technologies Corp.'s factory or repair facilities if the repairs in the judgement of Minus Forty® Technologies Corp. have affected the reliability or wear of the product and nor does the guarantee apply to any product which has been subject to misuse, accident or to any product which has not been maintained pursuant to the instruction of Minus Forty® Technologies Corp.

This warranty does not extend to any consequential damage caused by the failure of the product under any circumstance and further, Minus Forty® Technologies Corp. shall not be responsible for damage to the contents of the product or any economic loss caused by the failure of the product, whether such loss is suffered by the customer or a third party user of the product or whether the contents are owned by the customer or a third party user or supplier.



Effective January 1, 1996

TROUBLESHOOTING GUIDE (CONT'D)

for online reference go to www.minusforty.com

⚠ WARNING

Make sure the refrigerator is disconnected from the power supply before any service. Press the refrigerator switch to the "Off" position then unplug the power cord from electrical receptacle. All service work must be conducted by a certified technician only.

Problem	Possible Cause	Action
Condensation on glass door.	<ul style="list-style-type: none"> • Door not closing properly. • Room humidity too high. 	<ul style="list-style-type: none"> • Check the spring tension or any obstruction • To prevent condensation, room humidity should be below 55%.
LED strips are not working.	<ul style="list-style-type: none"> • Light switch is off. • Burned out LED strip. 	<ul style="list-style-type: none"> • Check if the light switch is on. • Replace the LED strip. (See page 8)
Cabinet is noisy.	<ul style="list-style-type: none"> • Part(s) loose • Tubing vibrating 	<ul style="list-style-type: none"> • Locate and tighten loose part(s). • Ensure tubing is not in contact with other tubing or components.
Door does not close tight.	<ul style="list-style-type: none"> • Refrigerator is not leveled. • Hinges are loose / not adjusted. • Gasket is out of the groove. 	<ul style="list-style-type: none"> • Level the unit (See page 2). • Adjust / tighten the hinge screws. • Check gasket condition. Adjust position or replace gasket.
Electronic control blank, flashing, or displaying incorrect characters.	<ul style="list-style-type: none"> • Wires disconnected at back of electronic control. 	<ul style="list-style-type: none"> • See actions described on the controller section. (page 4)
Evaporator fan does not run.	<ul style="list-style-type: none"> • Fan wire disconnected. • Door switch not working. 	<ul style="list-style-type: none"> • Check wiring. • Check door switch.

TROUBLESHOOTING GUIDE

for online reference go to www.minusforty.com

⚠ WARNING

Make sure the refrigerator is disconnected from the power supply before any service. Press the refrigerator switch to the "Off" position then unplug the power cord from electrical receptacle. All service work must be conducted by a certified technician only.

Problem	Possible Cause	Action
Refrigerator not running.	<ul style="list-style-type: none"> Refrigerator switch located at the lower front is turned off. Fuse blown / circuit breaker tripped. Power cord unplugged. Receptacle not working. Improper voltage supplied to cabinet / over load circuit. 	<ul style="list-style-type: none"> Turn power switch on. Replace fuse/reset circuit breaker. Plug in power cord. Check receptacle. Remove extension cords or other equipment on the same circuit.
Refrigerator not getting cold but compressor is running	<ul style="list-style-type: none"> Refrigerator located in direct sunlight or ambient (room) temperature is too hot. Condenser clogged with dust. 	<ul style="list-style-type: none"> Move refrigerator away from direct sunlight. Room temperature is recommended not to exceed 86°F (30°C), 55% RH. See page 6 (Cleaning)
Condensing unit runs for a prolonged period or continuously.	<ul style="list-style-type: none"> Refrigerator loaded with excessive amount of warm product. Prolonged door opening or door ajar. Door not closing properly. Clogged condenser. 	<ul style="list-style-type: none"> Allow enough time for product to cool down. Close door when not in use. Avoid prolonged door openings. Level the unit (See page 2). Check gasket condition. Check the door spring. Clean the condenser (See page 8).
Refrigerator cabinet temperature too high.	<ul style="list-style-type: none"> Electronic control set too high. Poor air circulation in cabinet. Insufficient clearance around cabinet or ambient temperature too high. Clogged condenser 	<ul style="list-style-type: none"> Adjust control setting (See page 4). Follow instructions for product loading (See page 3) Keep at least 2" free space around all sides of the refrigerator. Room temperature is recommended not to exceed 86°F (30°C), 55% RH. Make sure the air flow to the compressor is not obstructed. Clean the condenser (See page 7)

INSTALLATION INSTRUCTIONS

⚠ WARNING

This refrigerator MUST be installed on a dedicated grounded circuit protected with a 15 Amp circuit breaker or a 15 Amp fuse. Do not remove ground prong. If the cord or plug is damaged, replace with the same type. Refrigeration and electrical work must be performed by a qualified technician. Failure to follow these instructions can result in death, fire, or electrical shock.

POWER REQUIREMENTS: The refrigerator requires a 15 Amp dedicated and properly grounded 115V/60Hz/1Ph circuit with a NEMA 5-15P receptacle. Wiring should be sized according to the amperage rating stated on the serial plate. Failure to use a dedicated circuit may cause the circuit breaker to trip off and/or cause voltage drops. As a result, power to the refrigerator may be interrupted and cooling performance can be adversely affected which may cause equipment damage and/or product loss.



Voltage supply to the refrigerator must not vary more than ±10% of the nominal 115V, or performance may be affected. The warranty and liability does not cover damage resulting from excessive voltage variations.

- **DO NOT USE AN EXTENSION CORD**
- **DO NOT CUT, REMOVE OR BYPASS THE GROUNDING PRONG FROM THE PLUG**
- **DO NOT PLUG INTO AN OUTLET CONTROLLED BY A WALL SWITCH**
- **ENSURE POWER CORD IS NOT CUT OR DAMAGED FROM PINCHING, KNOTTING, OR MISHANDLING**

CABINET LOCATION: An air space of at least 2" must be maintained on all sides of the refrigerators. Do not install this refrigerator in a warm unventilated room that exceeds 86°F (30°C) 55% RH; do not place refrigerator in direct sunlight; do not place refrigerator under or near heat range or heating vent.

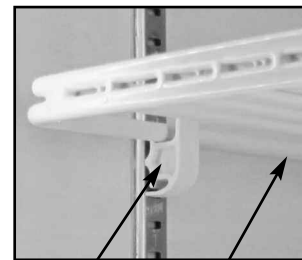
CABINET LEVELLING: The refrigerator has to be completely leveled side to side and front to back or slightly tilted front to back but never tilted forward. Once the refrigerator is placed in its final location, use a carpenter level to level the refrigerator. Proper leveling of the refrigerator is important for the door closing.

NOTICE:

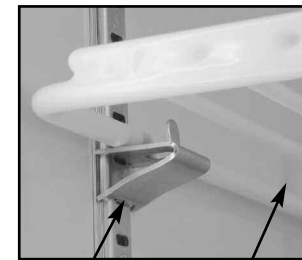
Failure to follow these instructions may void the warranty and/or cause loss of product.

SHELF AND BASKET, INSTALLATION AND ADJUSTMENT

The unit is supplied with shelves and molded or metallic clips. The unit has slotted pilasters to position the shelves according to the customer's needs.



Molded Clip Shelf



Metallic Clip Shelf



The clips can be removed at any time if a new position is chosen for the shelf or basket. To remove, grab the clip with your thumb and index finger, then push up the bottom surface until the clip is free. Once the clips are in place, put the shelf on top. Once the shelves are securely in place, baskets (if equipped) may be positioned on the shelves.

PROTECTIVE DOOR FILM REMOVAL

The anti-fog glass door has a protective film on the inner side. After the unit has been installed, peel and remove the protective film covering the inner glass surface.



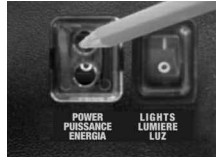
OPERATING INSTRUCTIONS

⚠ WARNING

Check with your power company if you are not certain of your power supply. Before connecting to power supply the refrigerator should be upright and idle for at least 1 hour.

Once the unit has been installed and the power supply has been connected, press the power switch to the "ON" position using a pen or pencil.

The compressor will start to run after 6 minutes. This can be confirmed by listening for a slight humming or a slight vibration.



NOTE:

If the refrigerator is running and the power supply is interrupted, the refrigerator will not restart immediately. There is a 6 minute delay for compressor protection.

Once the refrigerator is running, the inside temperature will start to cool down within a couple of minutes. Ensure that the refrigerator has reached the desired temperature (this will take between 2 to 3 hours) by checking the electronic control display readout before loading product. **It is strongly recommended to run the refrigerator empty for 24 hours before loading any products.**

PRODUCT LOADING

NOTICE:

Ensure the refrigerator has reached the proper operating temperature before loading product. The electronic control displays the interior cabinet temperature.

Product loss is not covered under warranty.

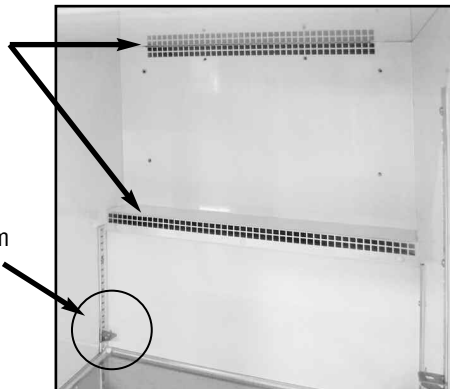
For enhanced performance of the unit and to avoid spoilage of perishable products, follow these instructions:

DO leave free space in front of the rear vents, from the vents to the glass door for air circulation.

DO NOT stock any products against the evaporator fan. See load limit labels inside the cabinet for reference.

AVOID stocking product directly on the bottom of the inner cabinet. Where possible, install the bottom shelf at the lowest pilaster position prior to stocking.

DO NOT overstock the unit.



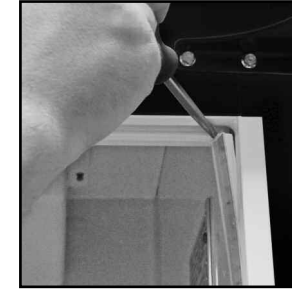
INTERIOR LED STRIP REPLACEMENT

⚠ WARNING

Make sure the unit is disconnected from the power supply before any service. Press the power switch to the "Off" position then unplug the power cord from electrical receptacle. All service work must be conducted by a certified technician only.



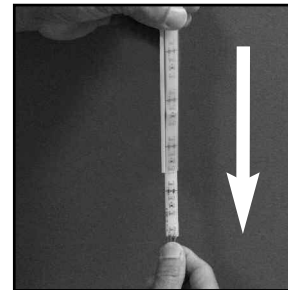
Remove silicone corner beads. Pry the screwdriver between plastic cover and cabinet frame. Pry from one end to the other.



Pry the screwdriver between plastic lens cover and cabinet frame.



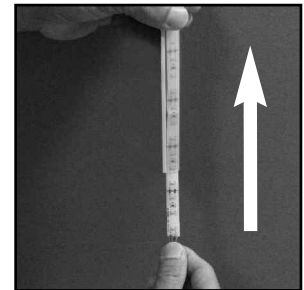
Carefully remove the plastic lens cover from cabinet frame.



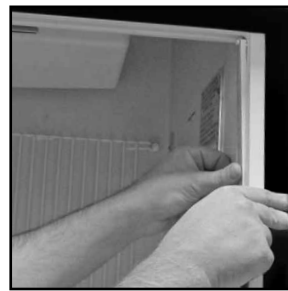
Slide faulty LED strip from plastic cover.



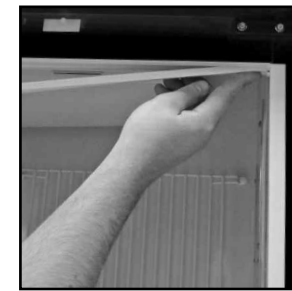
Locate the wire for the LED strip in the electrical box and disconnect from connectors.



Install the new LED strip into the plastic cover.



Attach wires, observing color coding. Press lens cover back to cabinet frame. Apply silicone at cabinet frame.



Snap plastic cover back to cabinet frame. Apply silicone at plastic cover corners.



Plug the unit in and make sure the light switch is in the "ON" position.

CLEANING (CONTINUED)

ANTI FOG GLASS DOOR INTERIOR (continued)

The Anti-Fog coating is a scratch resistant, permanent coating applied on the inner surface of the door glass. It prevents fogging and icing of cold glass surface after door opening and closing.

Cleaning can be performed using common household glass cleaners (Sidolin®, Windex®, Mr. Muscle®) and a tissue or paper towel. However, on very cold surfaces these cleaners may freeze. In these cases a mixture with 30% pure alcohol and water may be used.

At temperatures above 0°C, warm hand temperature water with a mild detergent can be applied.

Do not use abrasive cleaners or materials like Ajax®, Scotch Brite® or Steel Wool.

Do not contaminate the door with silicone.

Do not use tape, glue, stickers, attachments, magic markers or similar products on the coating.

Do not use razor blades or any other mechanical device to remove foreign residues or objects directly from the coating.

Do not use cleaners or materials that hinder the anti-fog performance by leaving residue or damaging the surface. Examples of these cleaners include: ArmorAll®, Tilex®, Bleach, Windex® No-Drip, Windex® Wipes, Pledge®, or any product containing silicone oils or waxes.

Recommended cleaners include: Greased Lightning®, Formula 409® Grease & Grime®, Fantastik®, Windex® Vinegar, Windex® Original, MicroClean Professional APC® (formerly Now® all purpose cleaner), Mean Green®, or Mr. Clean® (degreasing cleaners).

Recommended cleaning is with a soft dry or slightly damp towel, or with one of the degreasing cleaners listed above.

CONDENSER CLEANING

The refrigerator is designed for minimal condenser cleaning. With the “lint free” condenser design, most dust and dirt will pass right through the condenser. To insure the proper operation, we recommend scheduled check-ups and cleaning every three to four months. This period may be shorter or longer depending on the location in which the refrigerator was installed. A dirty condenser can result in a voided warranty, part failure, product loss, and higher electrical cost. The steps to clean the condenser are as follows:

1. To clean the condenser grille at the back, use a vacuum cleaner, or compressed air, or a brush. Go over the entire grill and remove any dust that may be on the grill surfaces or stuck between welded wires.
2. Prior to cleaning the pre-condensers that are located just below the fan blade in the compressor compartment, turn the power switch off and unplug the power cord. Feed a vacuum hose, or compressed air hose through the compressor platform slots underneath the pre-condensers. Clean all pre-condenser surfaces by going through all of the bottom openings and reaching the whole height up to the fan blade(s).
3. When finished with cleaning, plug the power cord into receptacle then turn the power switch on.

NOTE:

The cleaning of the condenser is a service not covered under the warranty

TEMPERATURE ADJUSTMENT AND SWITCH FUNCTIONS

Locate the electronic control at the lower front of the refrigerator. The electronic control displays the actual temperature inside the refrigerator. In addition, the electronic control turns the refrigeration system OFF when refrigerator reaches the set temperature, and turns the refrigeration system ON after the refrigerator temperature rises by 5°F or 7 minutes whichever lasts longer.

To adjust the set temperature, follow these steps:

1. Press and release P button; the set temperature and SP1 are displayed alternatively on the controller
2. Press the UP or DOWN buttons to adjust the set temperature.
3. Press P to store the adjusted value; The electronic control will return to cabinet temperature display. The U Button on the electronic controller is used for displaying cabinet and defrost temperatures (PR1 and PR2 parameters)

There are two switches located on the right hand side of the controller.

Their functions are to manually switch electronic components of the refrigerator.

1. The POWER switch turns the refrigeration system (including all electrical parts) ON or OFF. Use a pen or pencil to press the power switch to the ON or OFF position (see page 3).
2. The LIGHT switch turns the internal and external lights ON or OFF.

ELECTRONIC CONTROLLER



ELECTRONIC CONTROL

POWER

LIGHTS

CONTROLLER ALARMS AND SIGNALS

The electronic controller can detect and signal several alarm conditions: high/low refrigerator temperatures, door open and open or short-circuited temperature probes. If the alarm conditions last longer than pre-programmed time delays, the controller will turn ON an audio signal (buzzer). Also a LED light located in the upper left corner of the controller, next to the caution symbol, will glow in case an alarm is active.

Once the alarm conditions have been fixed, the controller will turn off the alarms on its own. Alarms can be disabled by pressing any controller button, during alarm conditions.

Message	Cause	Action
Pr1 diSC	Cabinet temperature probe open	<ul style="list-style-type: none"> • Check connections • Replace probe
Pr1 Short CC	Cabinet temperature probe short-circuited	
Pr2 diSC	Defrost probe open	<ul style="list-style-type: none"> • Check connection • Replace probe
Pr2 Short CC	Defrost probe short-circuited	
Int Error	Internal memory error	<ul style="list-style-type: none"> • Replace controller


CONTROLLER ALARMS AND SIGNALS CONT...


Message	Cause	Action
StArt dELAy	Start up delay in progress	• Wait for 6 minutes
Hi °F or Hi °C	Maximum temperature alarm	• Check door • See Troubleshooting (page 12)
Lo °F or Lo °C	Minimum temperature alarm	• Adjust set temperature
door oPEn	Door open	• Close door


CONTROLLER SYMBOLS AND FUNCTIONS




At the left side of the controller display are the following LED indicators:

- 

1. Indicates compressor status:
Light on - Compressor cooling on
Light off - Compressor cooling off
Light flashing - Start-up delay in progress
- 

2. Indicates defrost status:
Light on - Defrost in progress
Light flashing - Refrigerator in dripping mode
- 

3. Indicates fan status:
Light on - Cabinet fan ON
Light off - Cabinet fan OFF
Light flashing - Start-up delay in progress after defrost.
- 

4. Indicates the alarm status:
Light on - Alarm is on
Light off - Alarm is off
Light flashing - Alarm silenced or memorized

CLEANING

⚠ WARNING

To reduce the risk of fire, electrical shock or personal injury, disconnect the refrigerator from the power source before cleaning. Press the refrigerator switch to the “Off” position, then unplug the power cord from the receptacle. Keep liquids away from electrical and electronic components.

⚠ CAUTION

Do not apply hot water on cold glass components. Allow glass to warm sufficiently to prevent shattering.

⚠ CAUTION

Do not use ammonia or bleach based cleaners or abrasive type cleaners.
Do not use abrasive cleaning pads.

To clean the exterior whether it has the original finish or a decal package, use only a mild non-abrasive liquid cleaner, water and a soft cloth. For stainless steel parts, a commercial stainless steel polish and cleaner can be used. Always apply the cleaner to the soft cloth and then clean the refrigerator. Never apply the cleaner directly to the refrigerator. Excess liquid applied to the surface may seep into the electronic control and switches which can cause an electrical hazard or a malfunction.

DO NOT USE abrasive or caustic cleaners, scouring pads, solvents or flammable liquids.

GENERAL

The refrigerator should be cleaned at regular intervals to meet a good standard of hygiene and to keep the refrigerator attractive as an effective point of purchase display.

INTERIOR CLEANING

Use only mild non-abrasive liquid cleaner, water and a soft cloth for the entire refrigerator interior. Make sure to wipe off all residue.

EXTERIOR CLEANING

Use only mild non-abrasive liquid cleaner, water and a soft cloth for the painted surfaces and a stainless steel polish and cleaner for the stainless steel surfaces if desired.

CLEANING GLASS DOOR

Due to the special coating on the glass, use only a mild, non-abrasive liquid cleaner, water, and a soft cloth. Same applies to the plastic door frame.

CLEANING GLASS DOOR EXTERIOR

Due to the special coating on the glass, use only a mild, non-abrasive liquid cleaner, water, and a soft cloth. The same applies to the plastic door frame.

ANTI FOG GLASS DOOR INTERIOR

The anti-fog glass door has a protective film on the inner side. After the unit has been installed, peel and remove the protective film covering the inner glass surface.

(continued)